

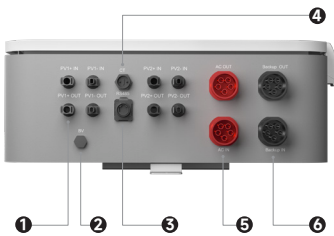


iBox

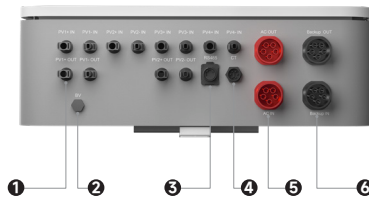
SL-BH12KR/SL-BH15KR

- Power Up with AC/DC Switching Capability
- Shield Your DC Circuit with Surge Protection
- AC Side: Surge Protection, Backup Safety, and the Intelligent RCBO Circuit Breaker
- Built-In Smart Meter: Real-Time Monitoring of Current, Voltage, Power, and Generation
- Rugged Enclosure: Pure Sheet Metal, IP54 Protection
- Effortless Connectivity: Plug-and-Play Input/Output Lines

SL-BH12KR

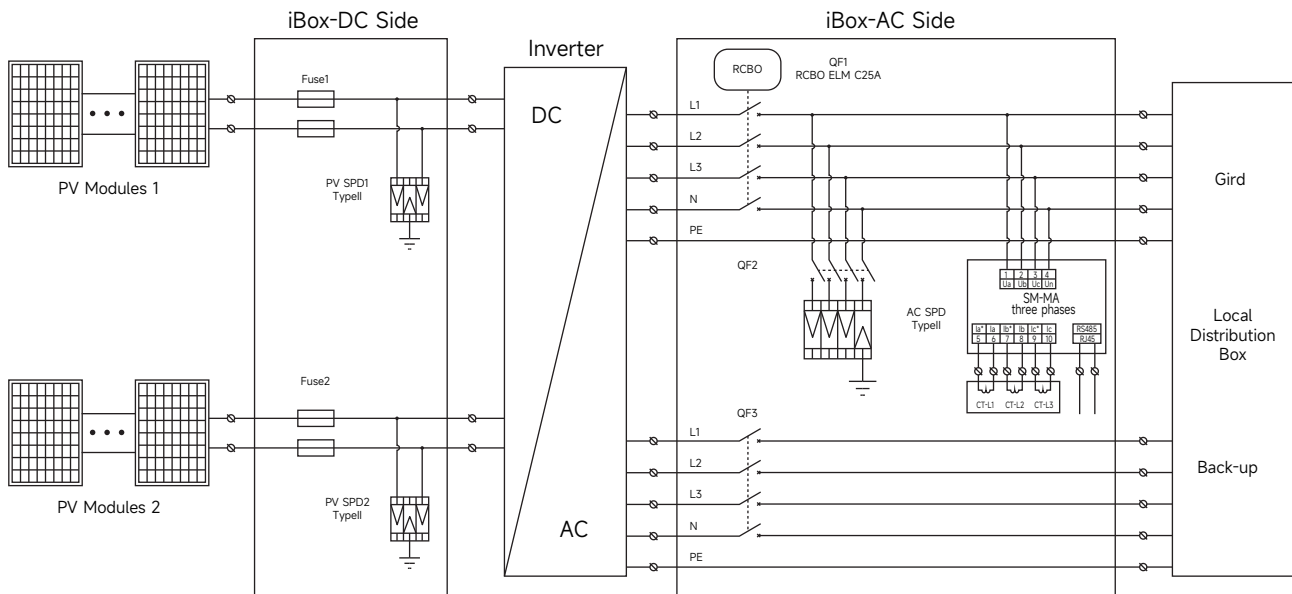


SL-BH15KR

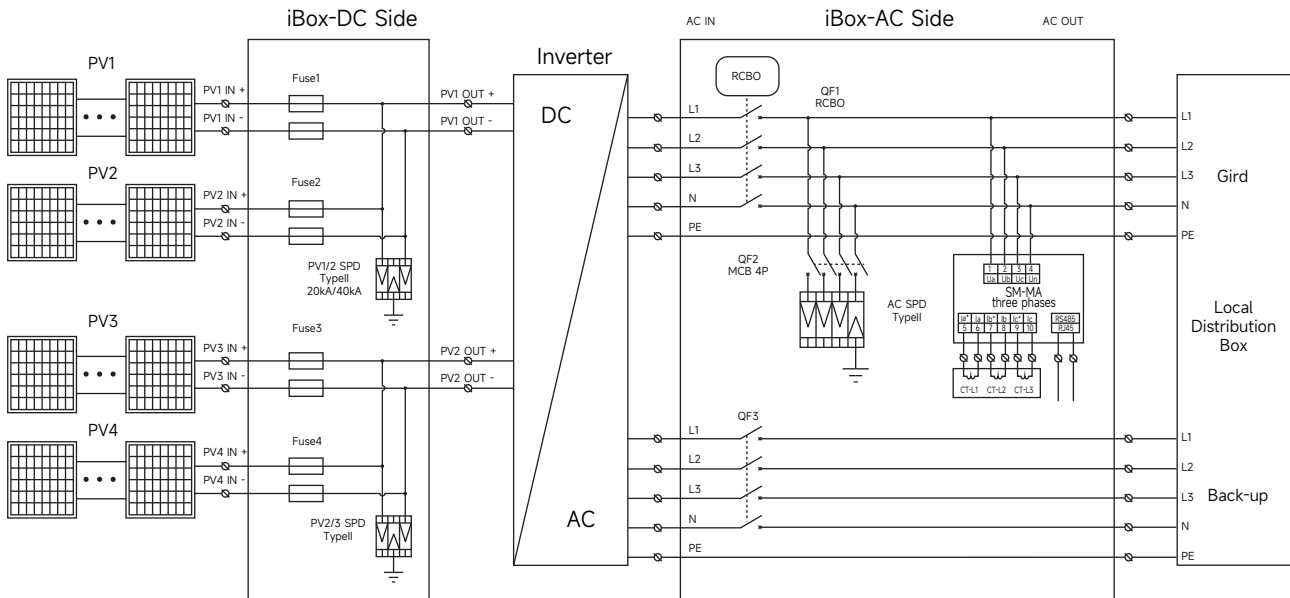


1. PV Input/Output Terminal
2. BV
3. RS485
4. CT
5. On-grid Input/Output Terminal
6. Back-up Input/Output Terminal

Circuit Diagram SL-BH12KR



Circuit Diagram SL-BH15KR



iBox	SL-BH12KR	SL-BH15KR
DC Side		
Max input/output voltage (V_{DC})	1000	1000
Max input current (A)	15	15
Max output current (A)	15	30
AC Side/Backup		
Rated input/output voltage (V_{AC})	415	415
Max input/output current (A)	20	25
Rated Frequency (Hz)	50/60	50/60
Working environments		
Operation Temperature ($^{\circ}C$)	-10~+50	-10~+50
Relative Humidity	98% Non condensation	98% Non condensation
Altitudes (m)	≤ 2000	≤ 2000
IP Degree	IP54	IP54
Installation methods	Indoor, Hanging	Indoor, Hanging
Standards & Certifications		
Standards	IEC61439-1	IEC61439-1
	IEC61439-2	IEC61439-2
Certifications	CE	CE
Dimensions W×H×D (mm)	475×425×175	525×425×175
Weight (kg)	18	20